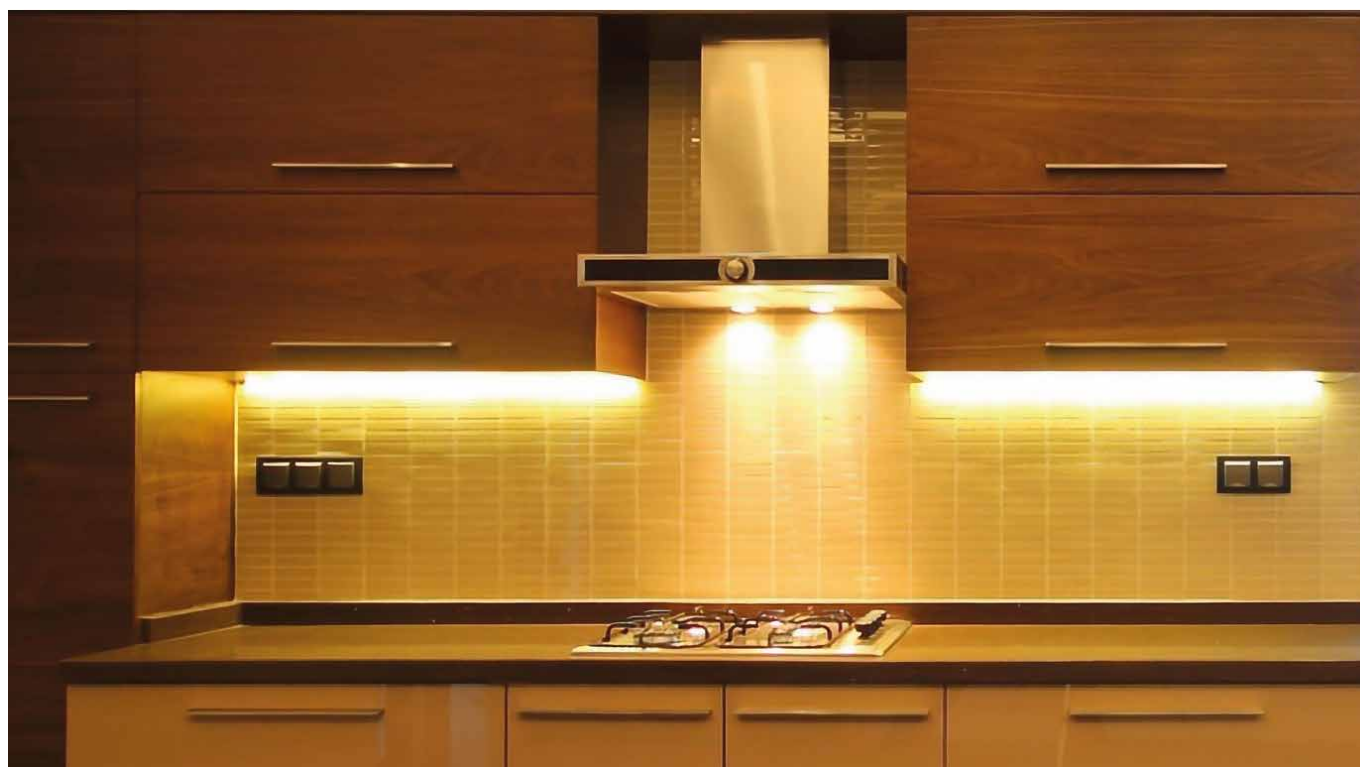
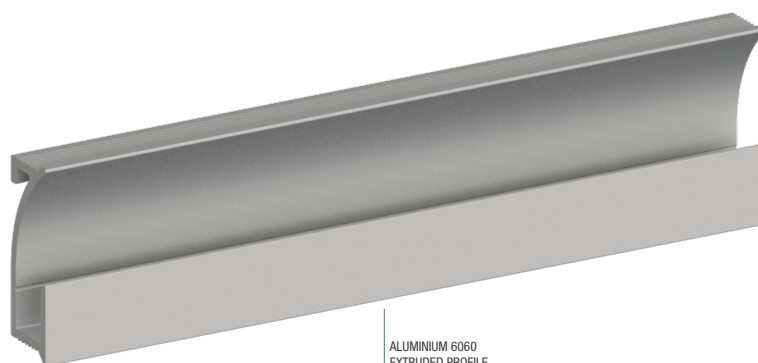


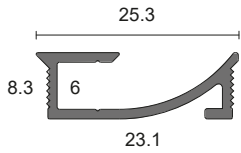
# REFLEX

Small-size anodized aluminium 6060 extruded profile with indirect light output, designed and produced to be flush-mounted even on very thin surfaces. Extremely easy to install, thanks to the brushed snap-in diffuser and side closure supports. Available in different sizes, it is ideal to house and dissipate LED Strips, and especially suited to illuminate and embellish kitchen and bathroom cabinets and panels, under-wall cupboards, furniture, closets, shelves and display cases.

 EXTRUDED IN ITALY



1:1 SCALE



BASIC CODES

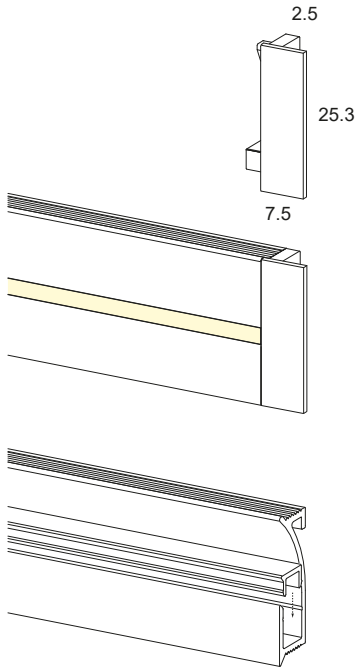
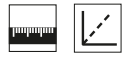
**PA.REFLEX.**

LENGTH

- 1 1000mm
- 2 2000mm
- 3 3000mm

FINISHES

- 1 Matt white RAL9003
- 2 Matt black RAL9005
- 7 Brushed aluminium



BASIC CODES

**SR01.**

FINISHES

- 1 White
- 2 Matt black
- 7 Brushed aluminium

Side aluminium closing support. Easy and quick to install, by exerting a slight side pressure.

BASIC CODES

**PA.PL0420.**

LENGTH

- 1 1000mm brushed
- 2 2000mm brushed
- 3 3000mm brushed

Brushed snap-on diffuser. The diffuser can be easily removed for maintenance operations.

Code example: REFLEX Profile + 1000mm Length + Brushed Aluminium Finish = Code: PA.REFLEX.17